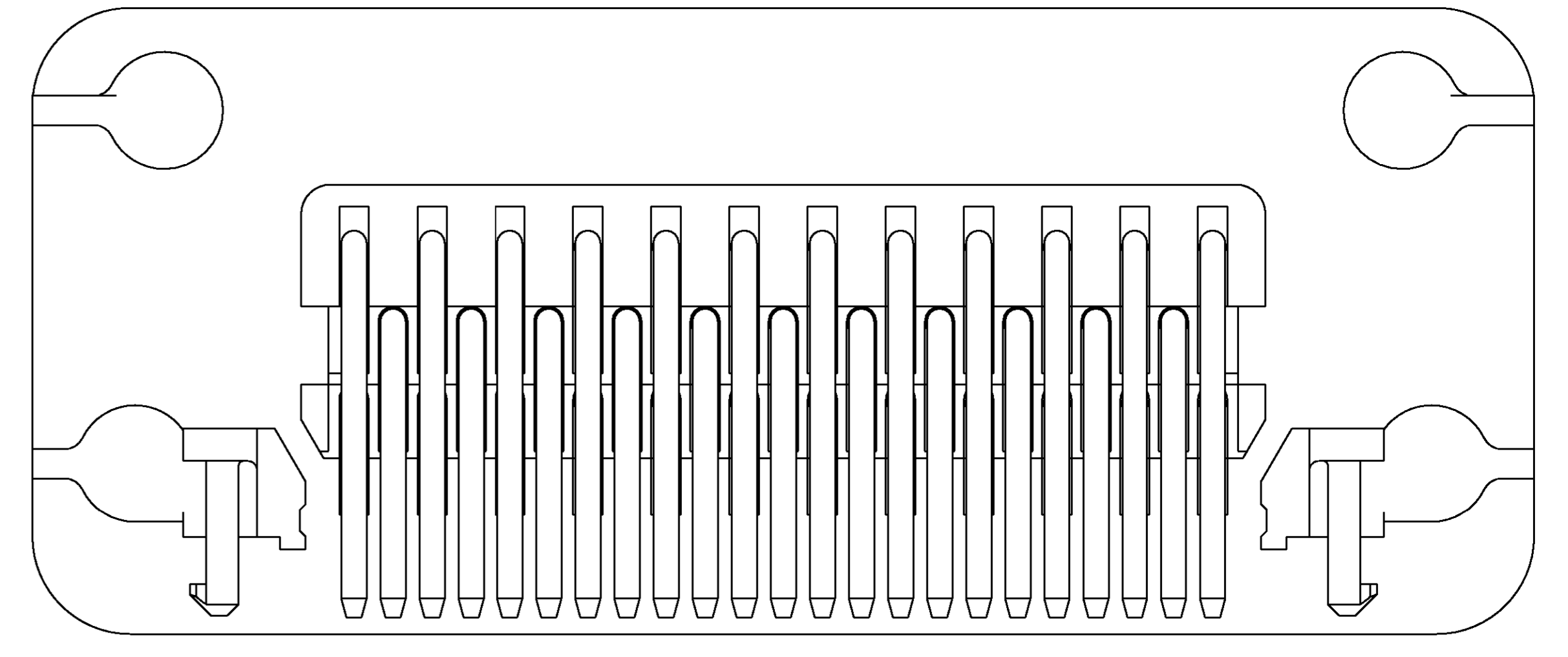
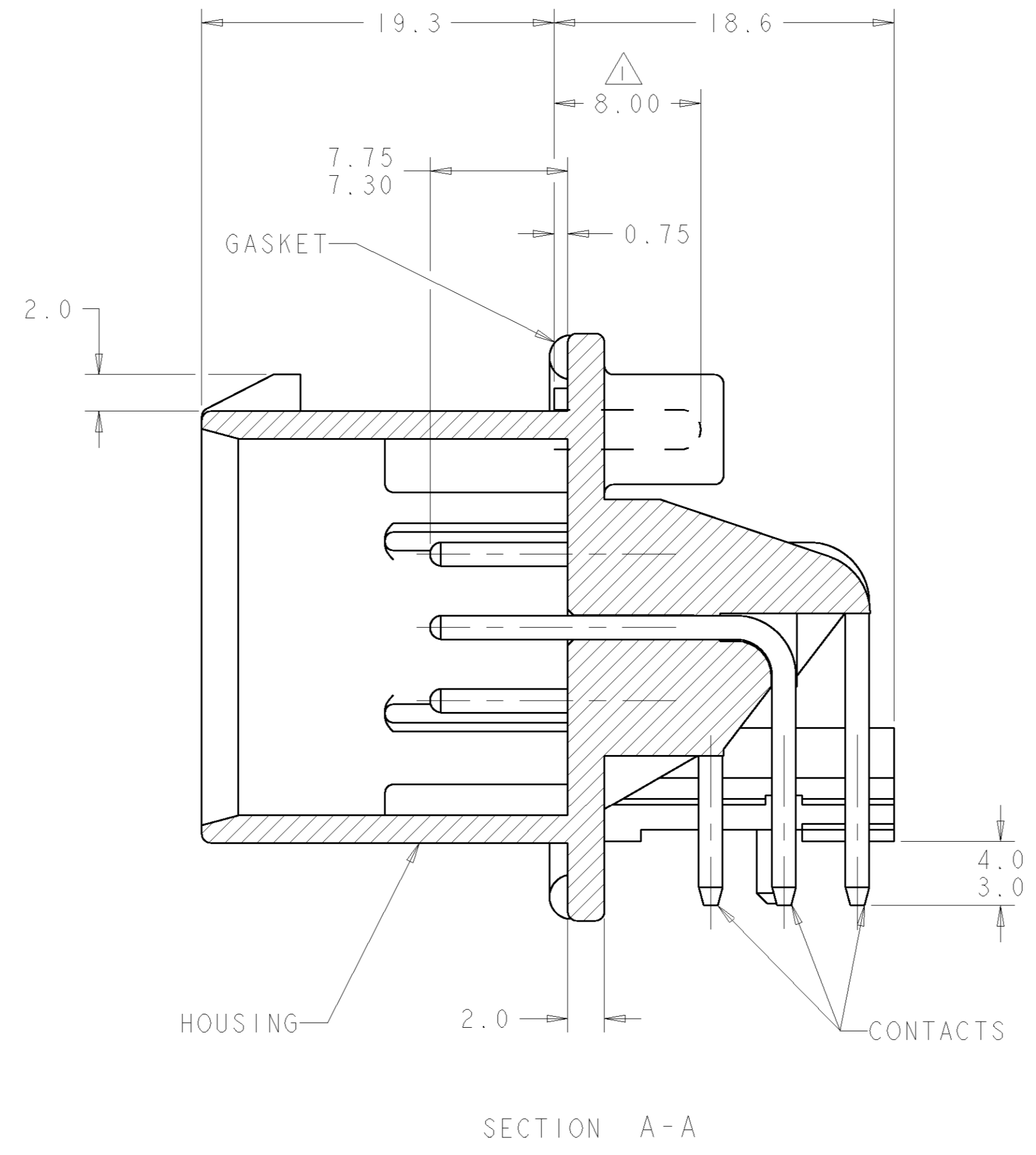
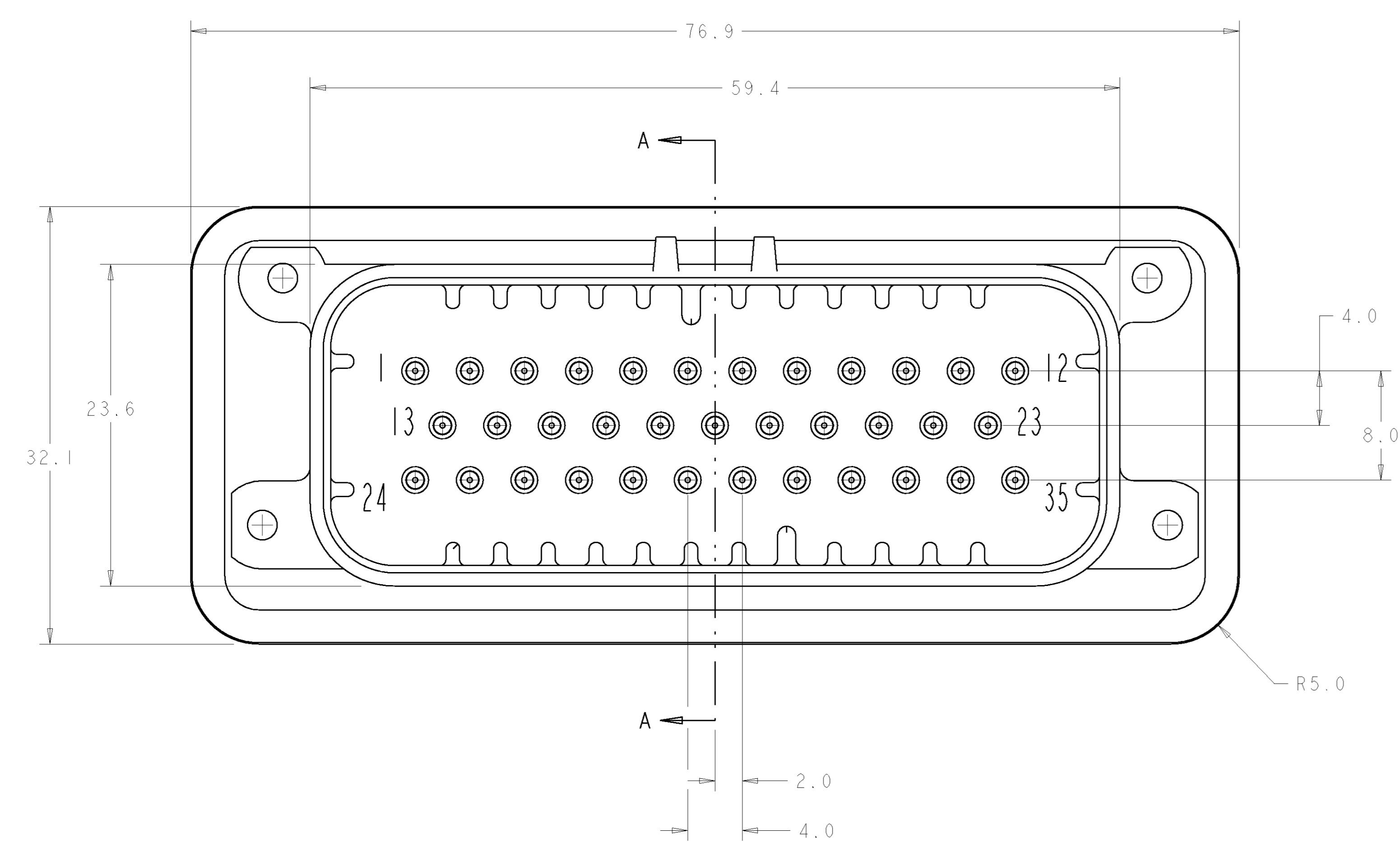
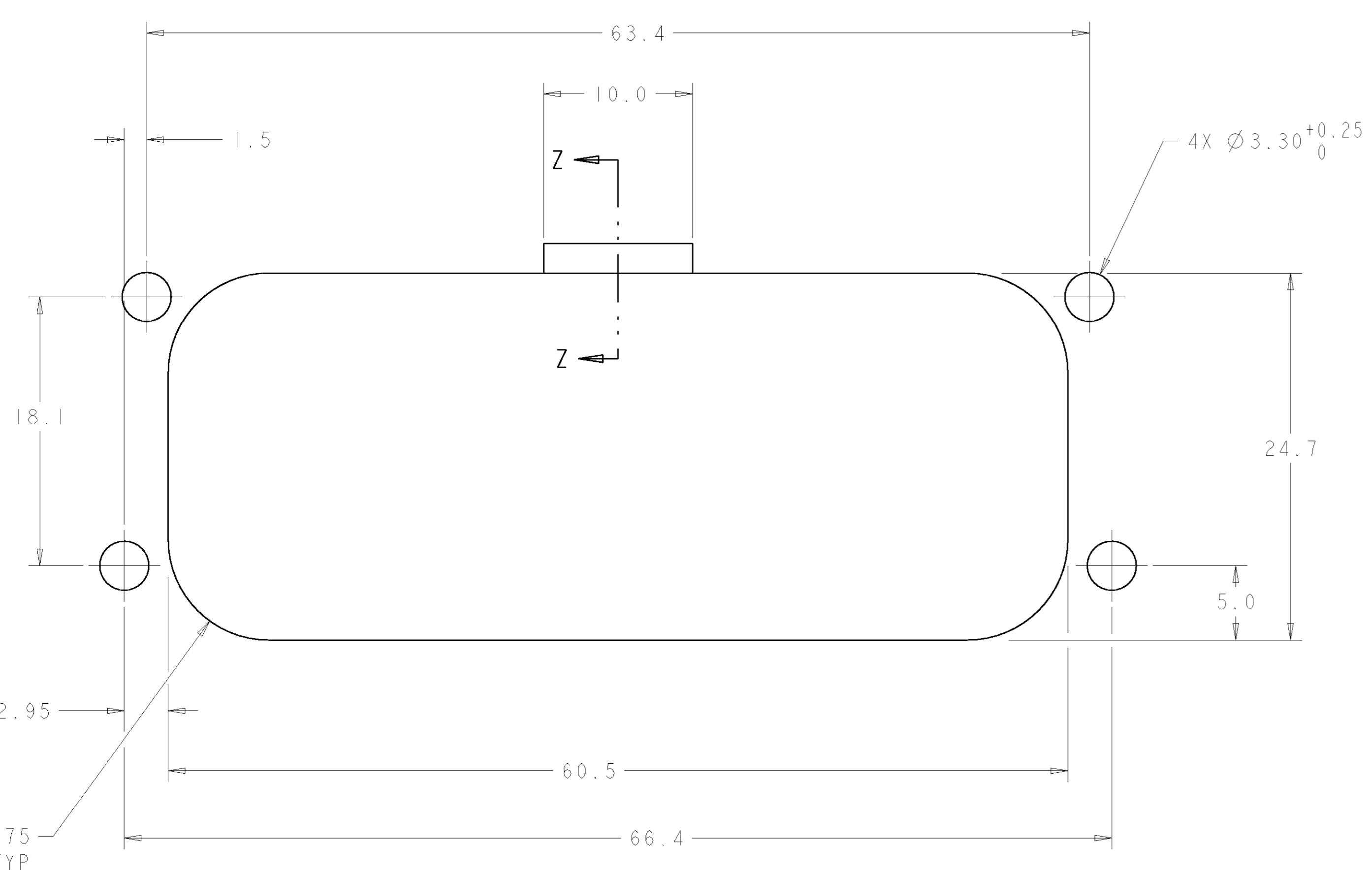


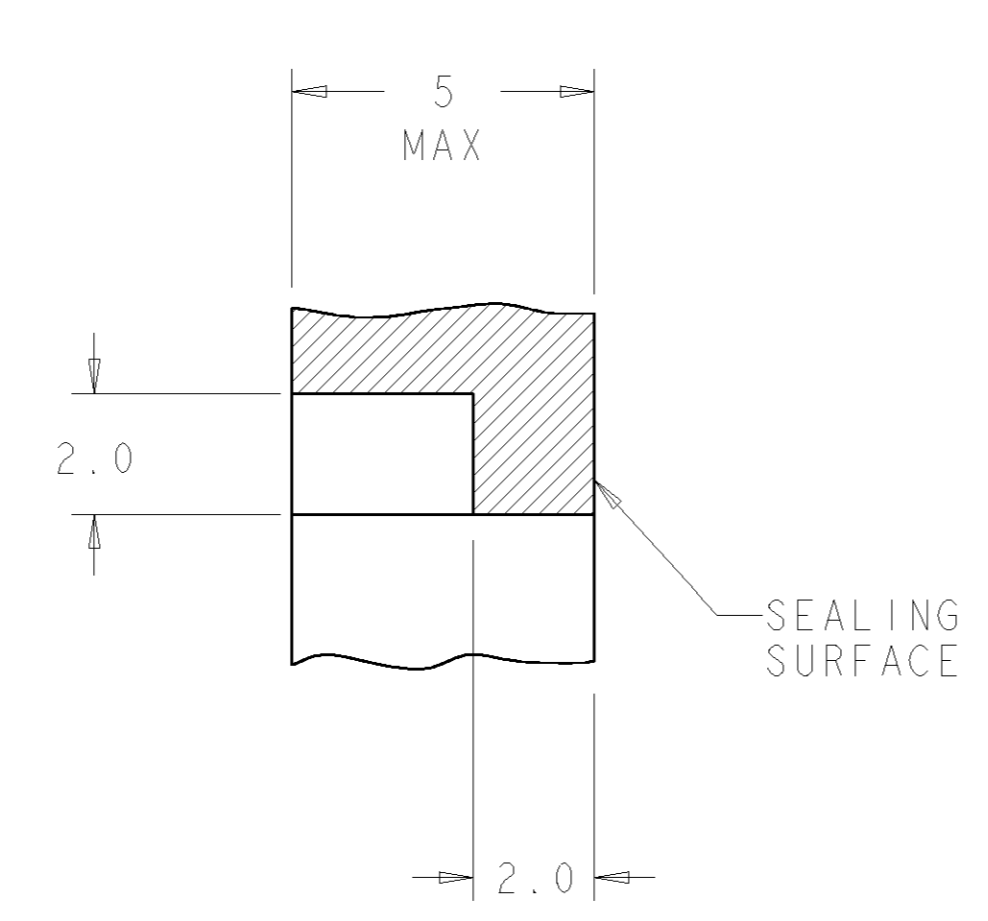
REVISONS		DATE	BY	APP'D
F	REV PER EC 0K40-0453-02	07JAN2003	RGV	DHC
G	REV PER EC 0K40-1104-02	07JAN2003	RGV	DHC
H	REV PER EC 0K40-0235-03	16APR2003	AK	DC
H1	REV PER EC 0K40-0381-03	19JUN2003	RGV	MFT



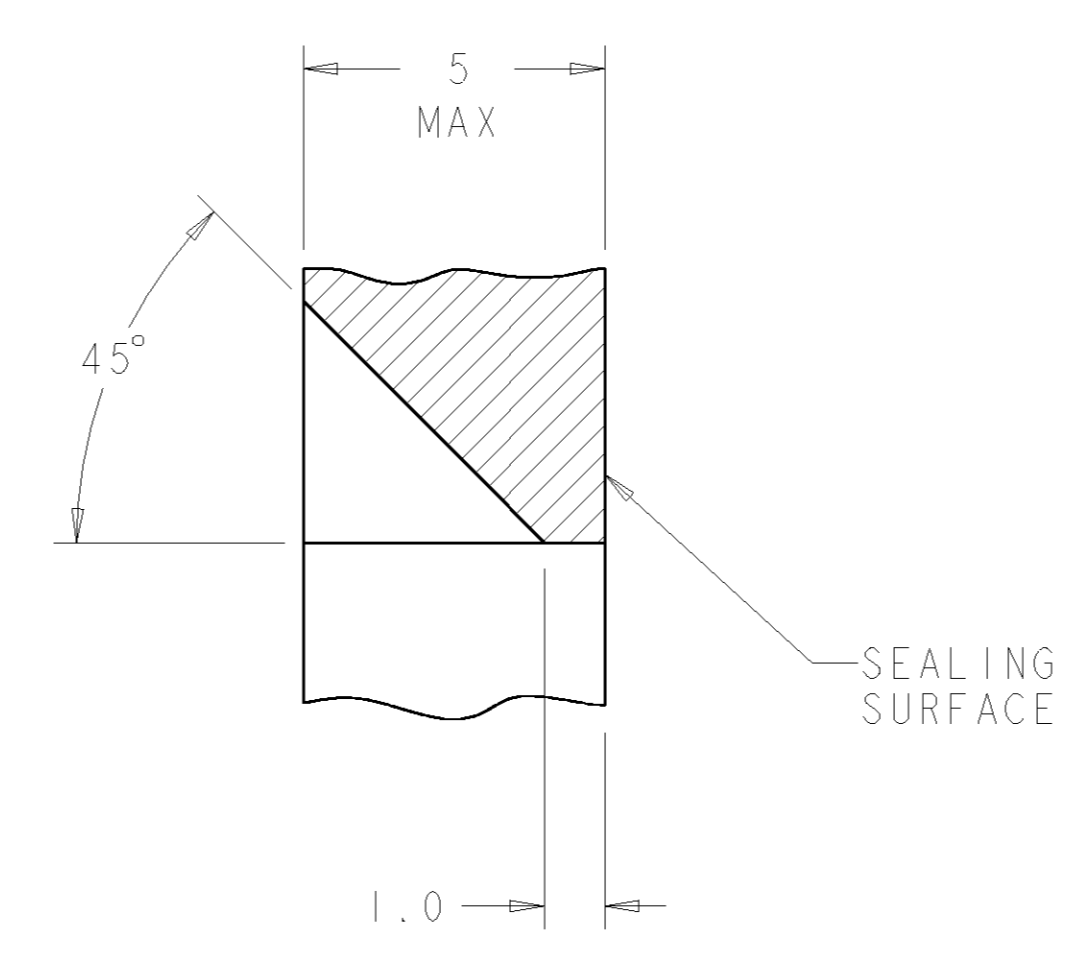
ACCEPTS #4 SELF TAPPING SCREW (ELCO HI-LO THREAD CUTTING STYLE OR EQUIVALENT) TO BE DRIVEN AT 0.6±0.2 N-M.  
 HOUSING COLORS ARE MECHANICALLY KEYS TO MATE ONLY WITH IDENTICALLY COLORED PLUG ASSEMBLIES.



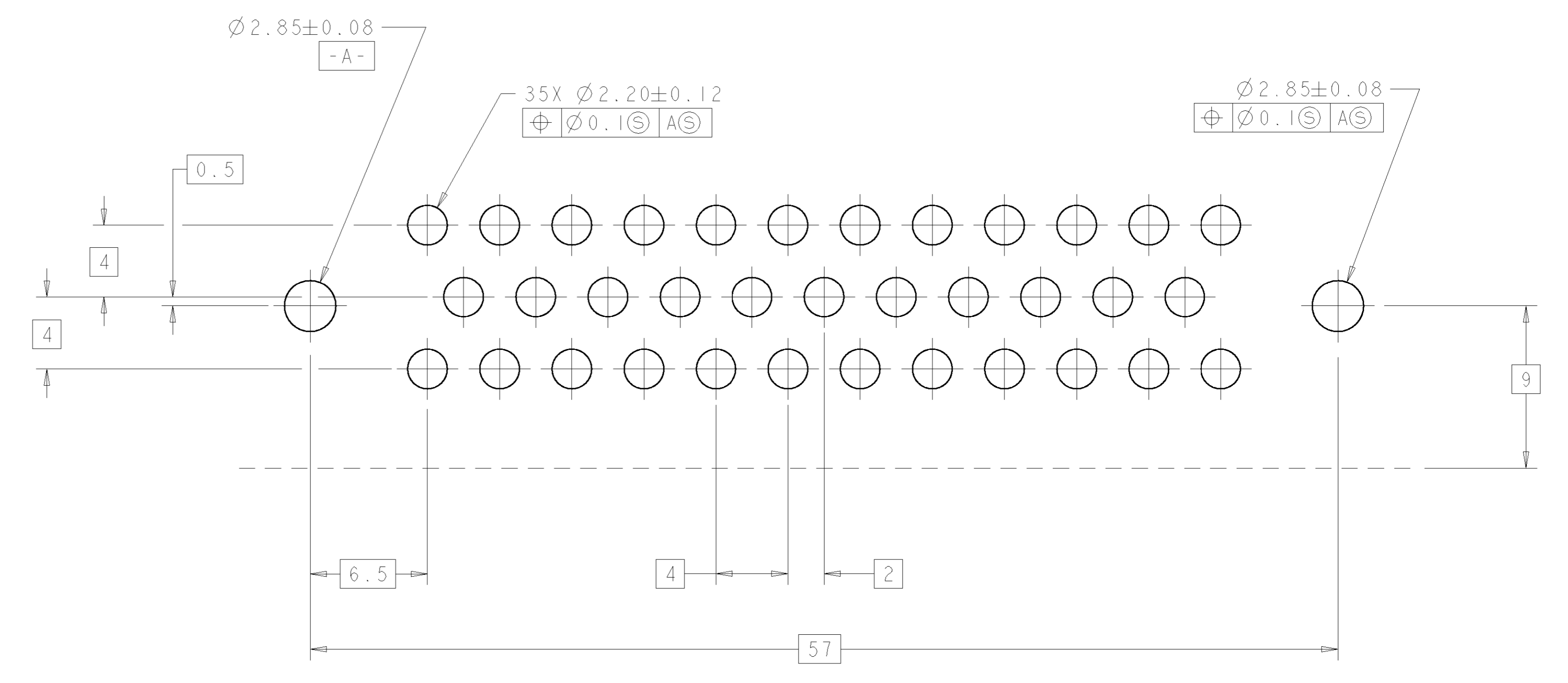
RECOMMENDED MOUNTING HOLE LAYOUT FOR 5.0 MAX THICK PANEL



SECTION Z-Z  
 OPTIONAL CONSTRUCTION IF THICKNESS IS GREATER THAN 2.0  
 SCALE 8:1



SECTION Z-Z  
 OPTIONAL CONSTRUCTION IF THICKNESS IS GREATER THAN 2.0  
 SCALE 8:1



RECOMMENDED P.C. BOARD LAYOUT FOR 1.57 THICK P.C. BOARD

SILICONE	BRASS	DURAGOLD	PBT	BLUE	1-776163-5
SILICONE	BRASS	DURAGOLD	PBT	GRAY	1-776163-4
SILICONE	BRASS	DURAGOLD	PBT	NATURAL (WHITE)	1-776163-2
SILICONE	BRASS	DURAGOLD	PBT	BLACK	1-776163-1
SILICONE	BRASS	TIN	PBT	BLUE	776163-5
SILICONE	BRASS	TIN	PBT	GRAY	776163-4
SILICONE	BRASS	TIN	PBT	NATURAL (WHITE)	776163-2
SILICONE	BRASS	TIN	PBT	BLACK	776163-1
MATERIAL	MATERIAL	FINISH	MATERIAL	COLOR	PART NO
GASKET	CONTACTS		HOUSING		

DIMENSIONS: SEE TABLE	TITAN ELECTRONICS CORPORATION 3100000000	DATE: 31DEC2002 CHG: 31DEC2002 D: CROWNE D: CROWNE 31DEC2002	NAME: <b>tyco</b> Electronics Harrisburg, PA 17105-3800
CUSTOMER DRAWING			TITLE: <b>HEADER ASSEMBLY, 35 POSITION, SNAP-IN, AMPSEAL</b>
SIZE: A0		CASE CODE (DRAWING NO): 00779	PART NO: 776163
SCALE: 4:1			SHEET: 1 OF 1