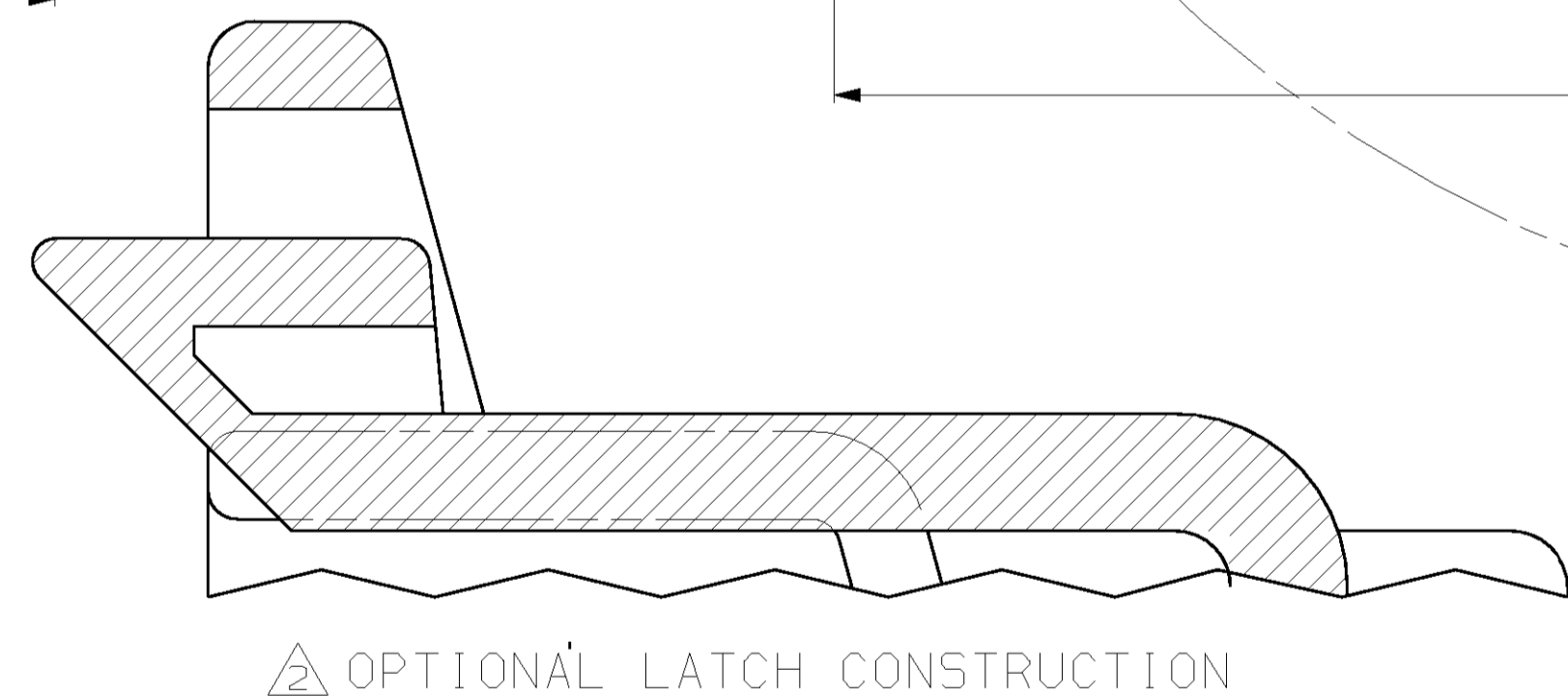
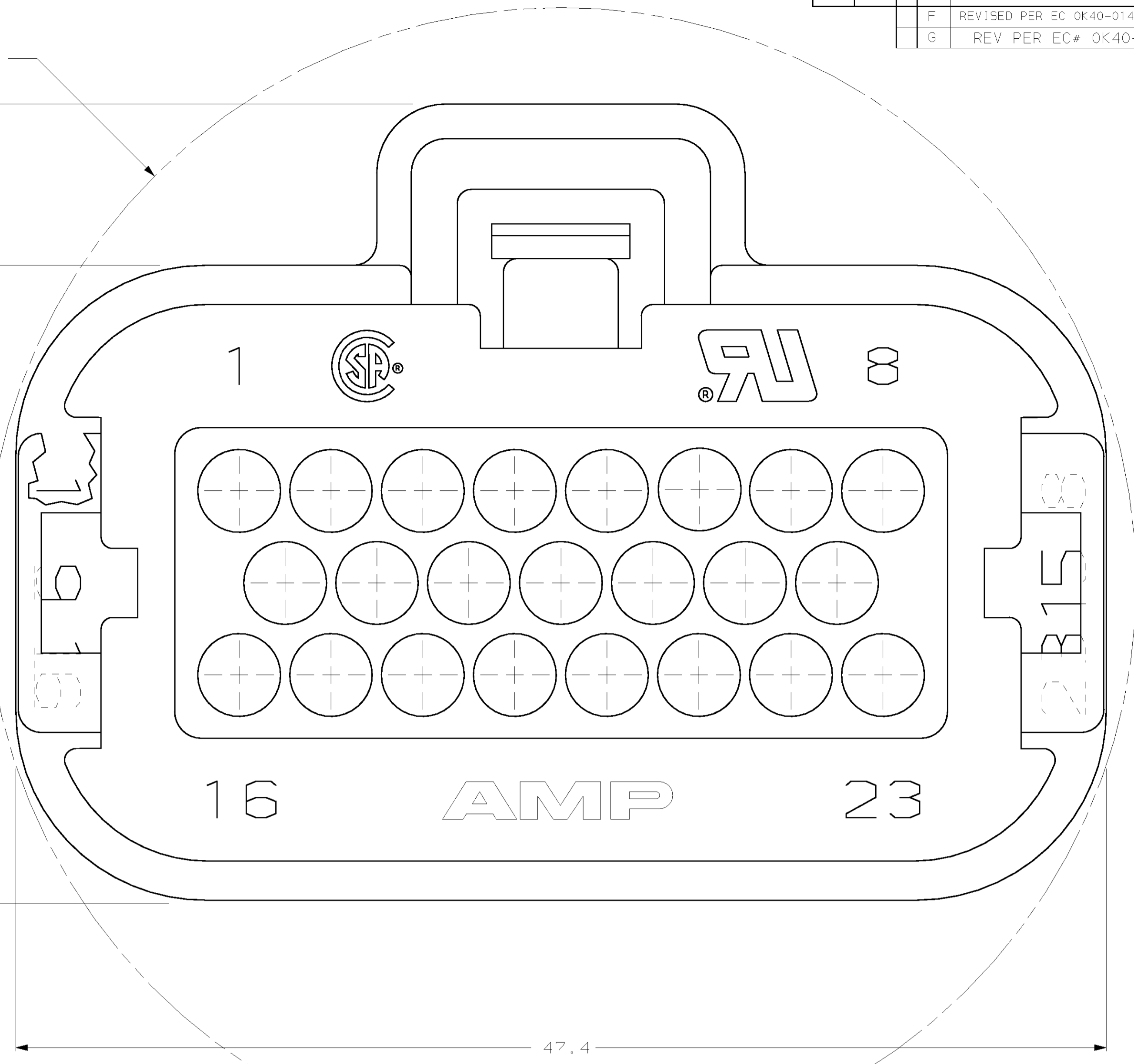
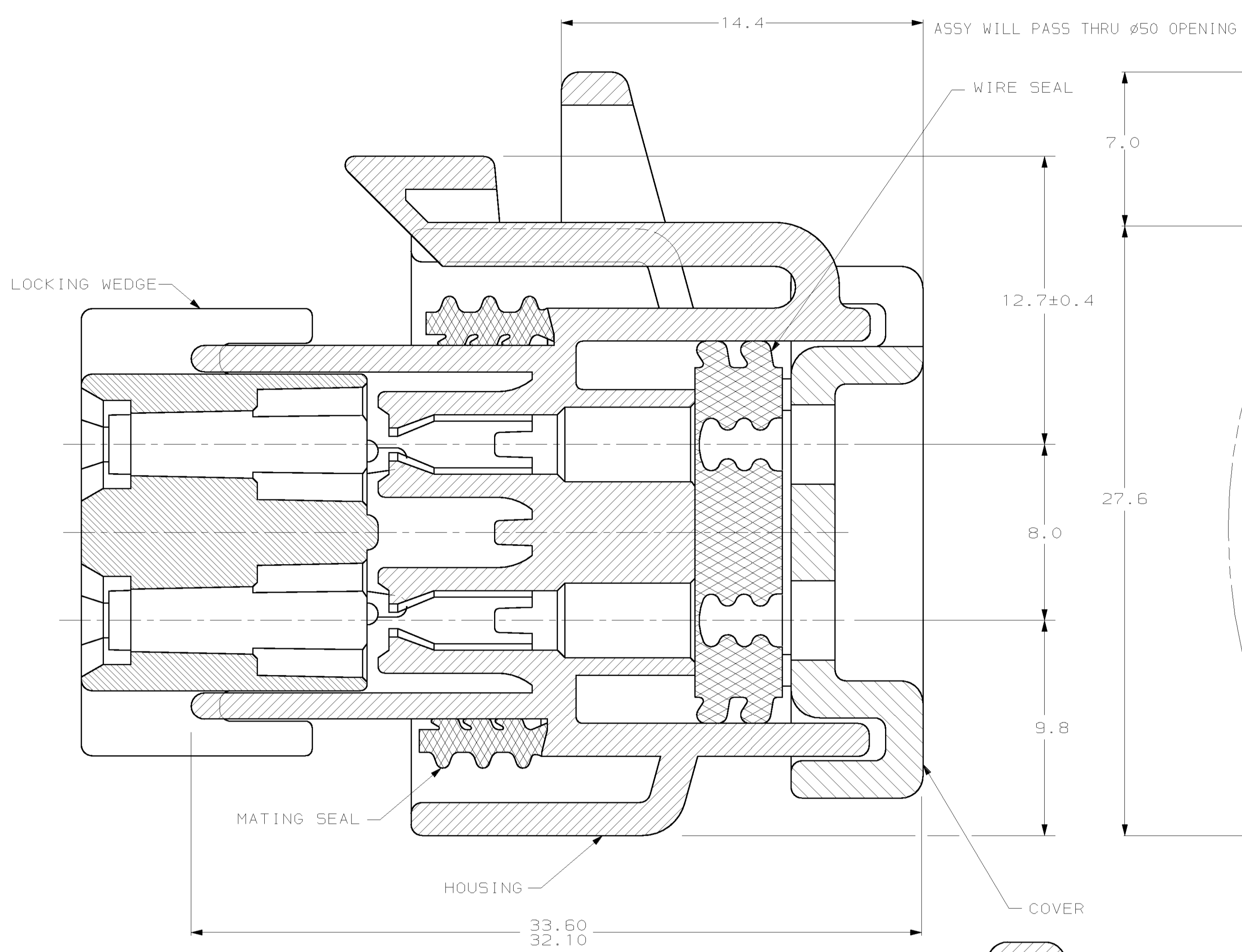
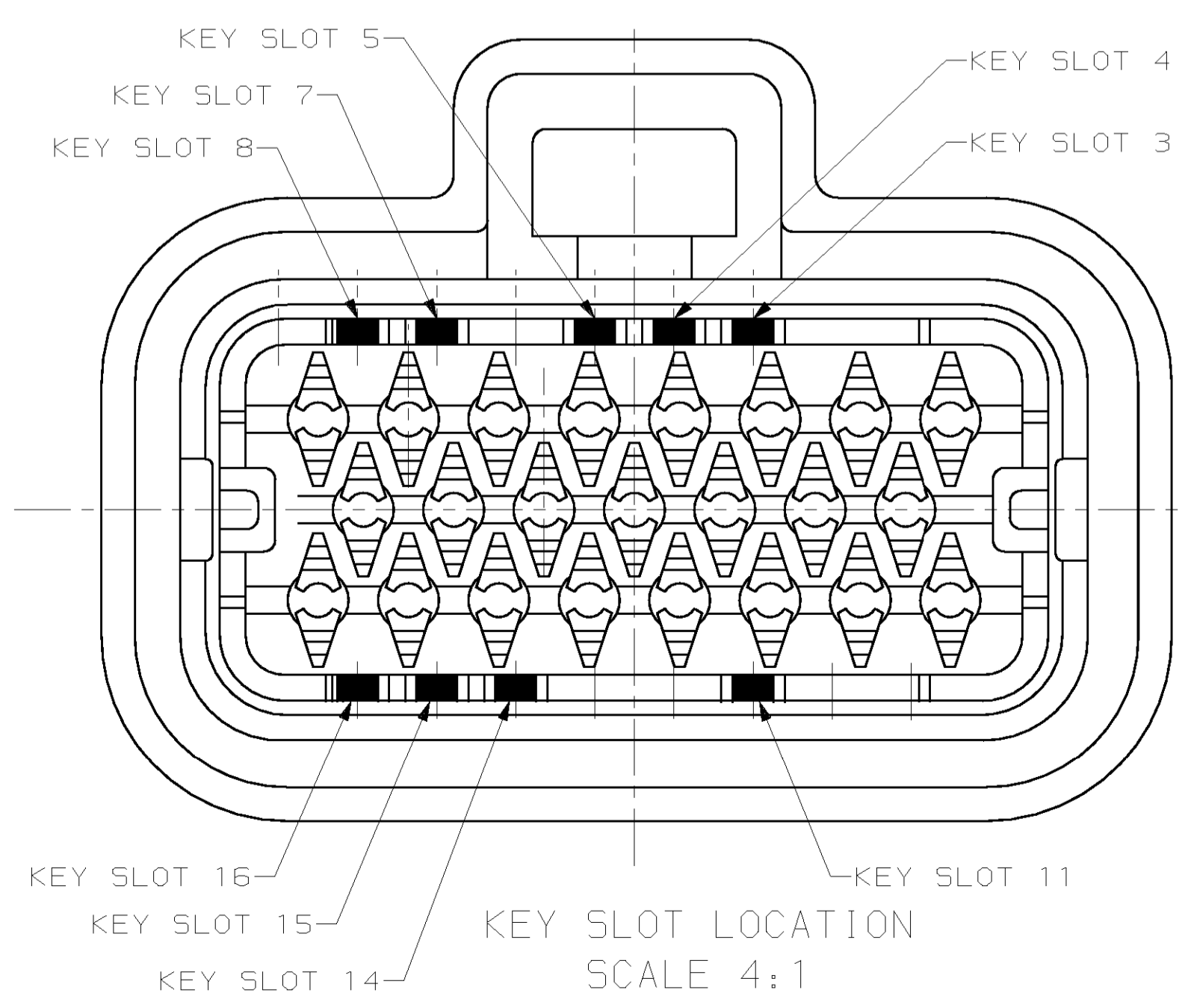


LOC	DIST	REVISIONS			
F	CHR	DESCRIPTION	DATE	OWN	APVD
F		REVISED PER EC OK40-0146-99	20AUG99	PY	DC
G		REV PER EC# OK40-0079-00	4-5-00	PC	DC



- 1 HOUSING COLORS ARE MECHANICALLY KEYPED TO MATE ONLY WITH IDENTICALLY COLORED HEADER ASSEMBLIES.
- 2 OPTIONAL CONSTRUCTION OF LATCH OVERSTRESS FEATURE.



3, 8 & 16	770680-5
7 & 15	770680-4
4 & 14	770680-3
5 & 11	770680-2
4 & 14	770680-1
KEY SLOT LOCATION SEE DETAIL ABOVE	PART NUMBER

770680-1 SHOWN

GLASS FILLED PBT, BLACK	SILICONE RUBBER, RED	SILICONE RUBBER, RED	PBT, RED	PBT, BLUE	NONE	770680-5	-
				PBT, GRAY	NONE	770680-4	-
COVER	WIRE SEAL	MATING SEAL	LOCKING WEDGE	PBT, BLACK	3, 7, 16, 17, 21, 22	770680-3	-
				PBT, NATURAL	NONE	770680-2	-
				PBT, BLACK	NONE	770680-1	-
				HOUSING	CIRCUITS MOLDED CLOSED	PART NO	ITEM NO

THIS DRAWING IS A CONTROLLED DOCUMENT.

DIMENSIONS:	TOLERANCES UNLESS OTHERWISE SPECIFIED:	DWN E. YEAGER 20AUG99	AMP Incorporated Harrisburg, PA 17105-3608
mm	0 PLC ±.1 1 PLC ±.15 2 PLC ±.2 3 PLC ±.25 4 PLC ±.3 ANGLES ±.5	CHK D. CROWE 20AUG99	NAME D. CROWE
MATERIAL	FINISH	PRODUCT SPEC	APPLICATION SPEC
SEE TABLE	-	SIZE	CAGE CODE DRAWING NO
		WEIGHT	A1 00779 C- 770680
		CUSTOMER DRAWING	SCALE NTS SHEET 1 OF 1 REV G