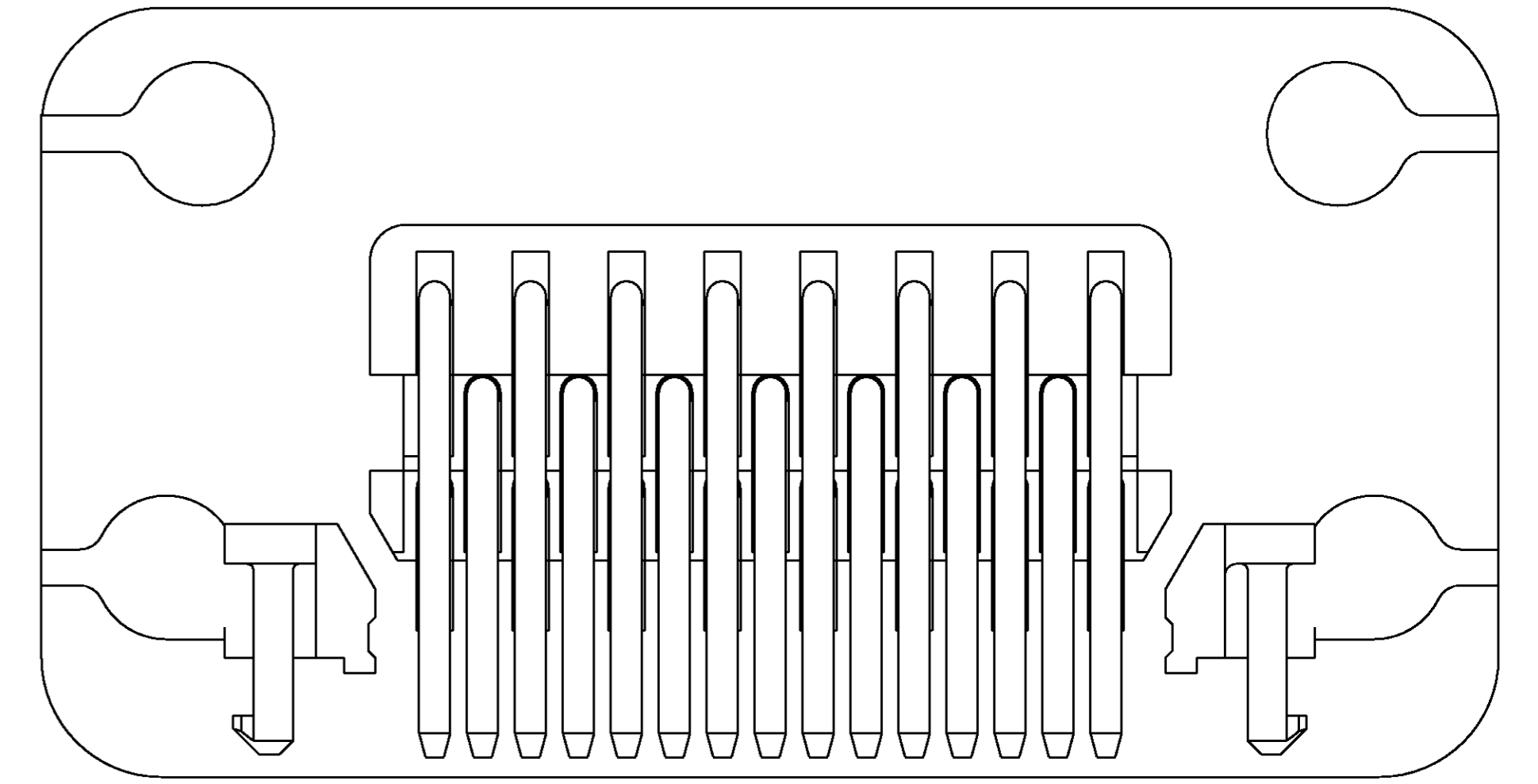
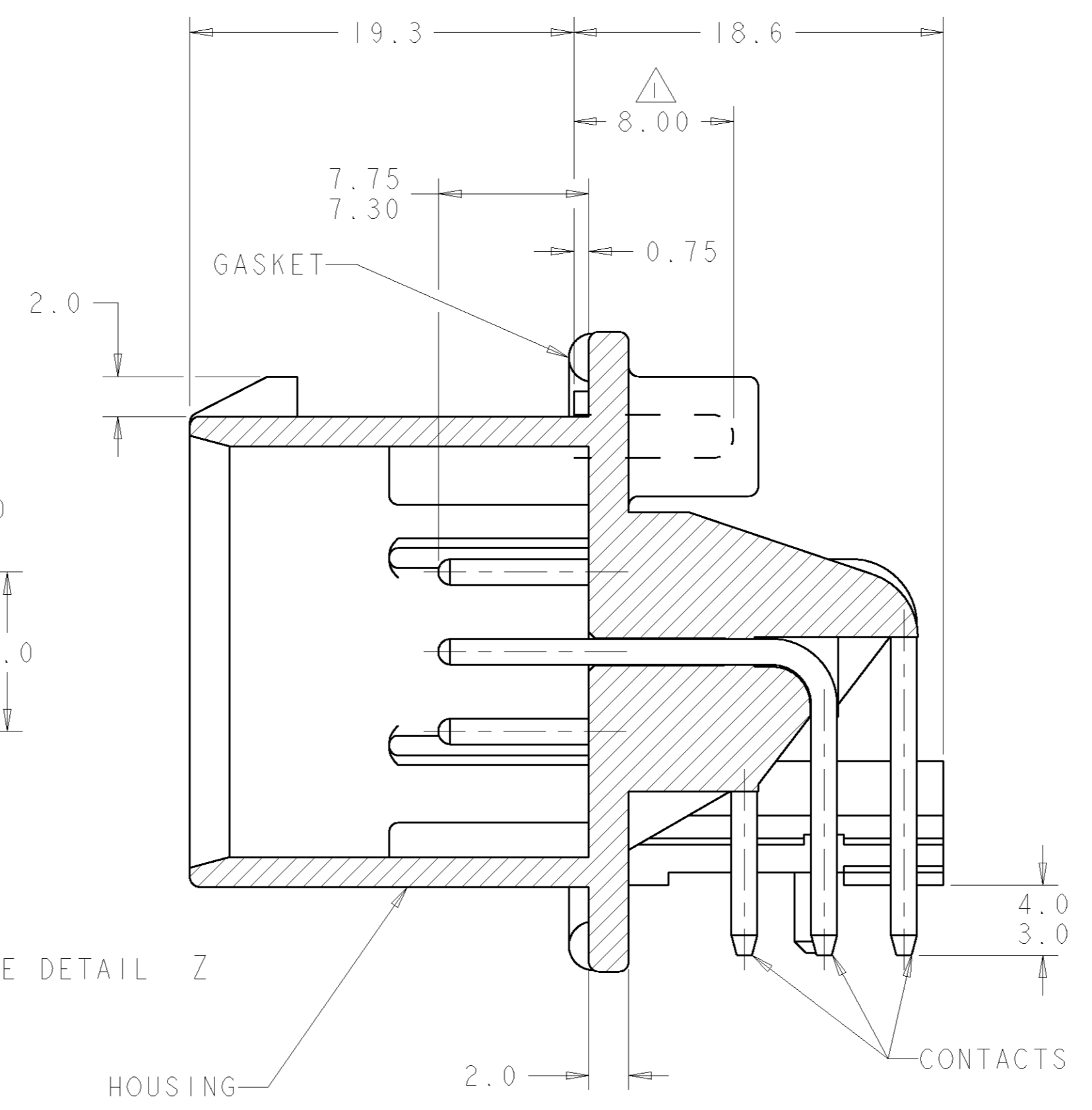
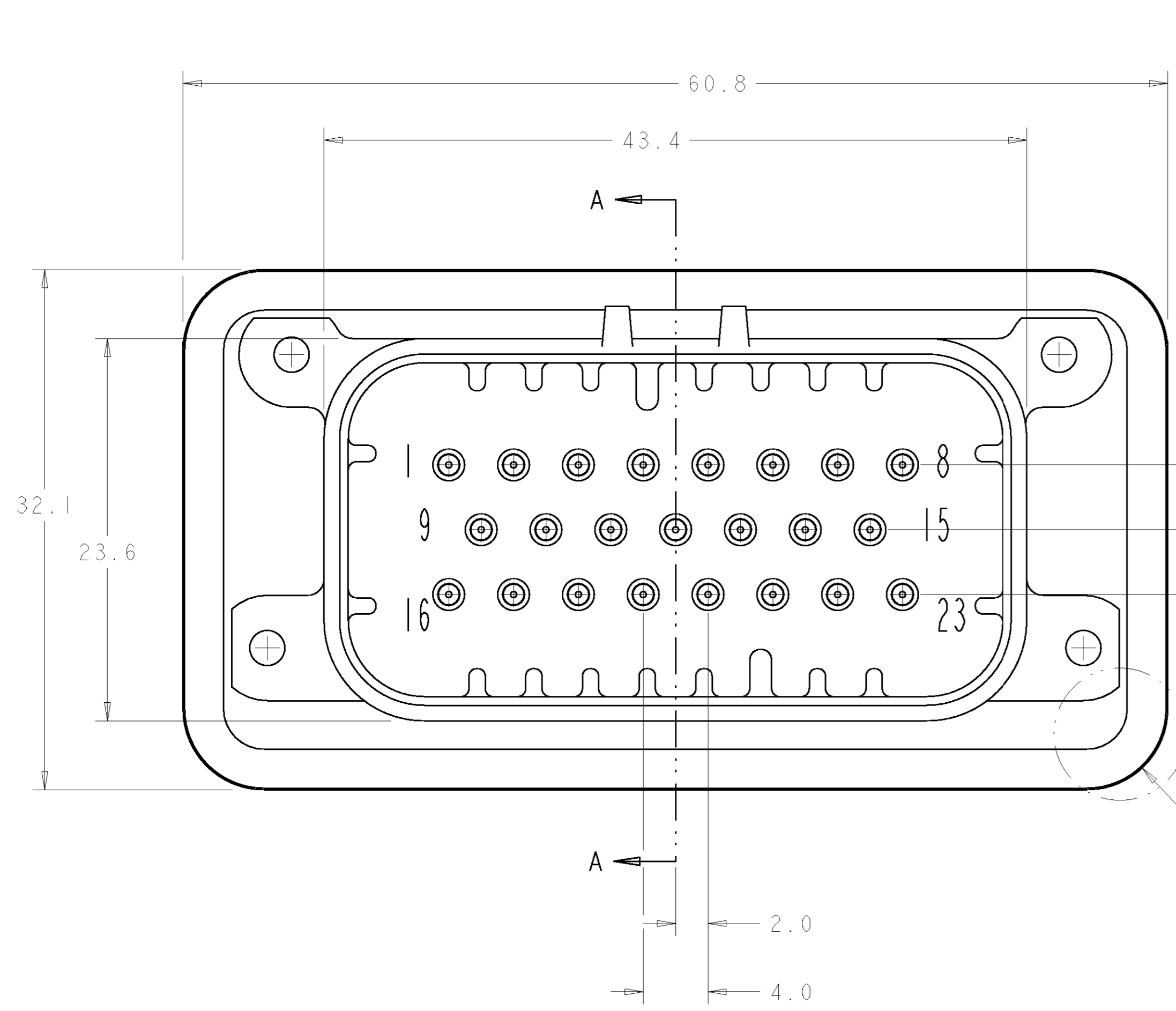
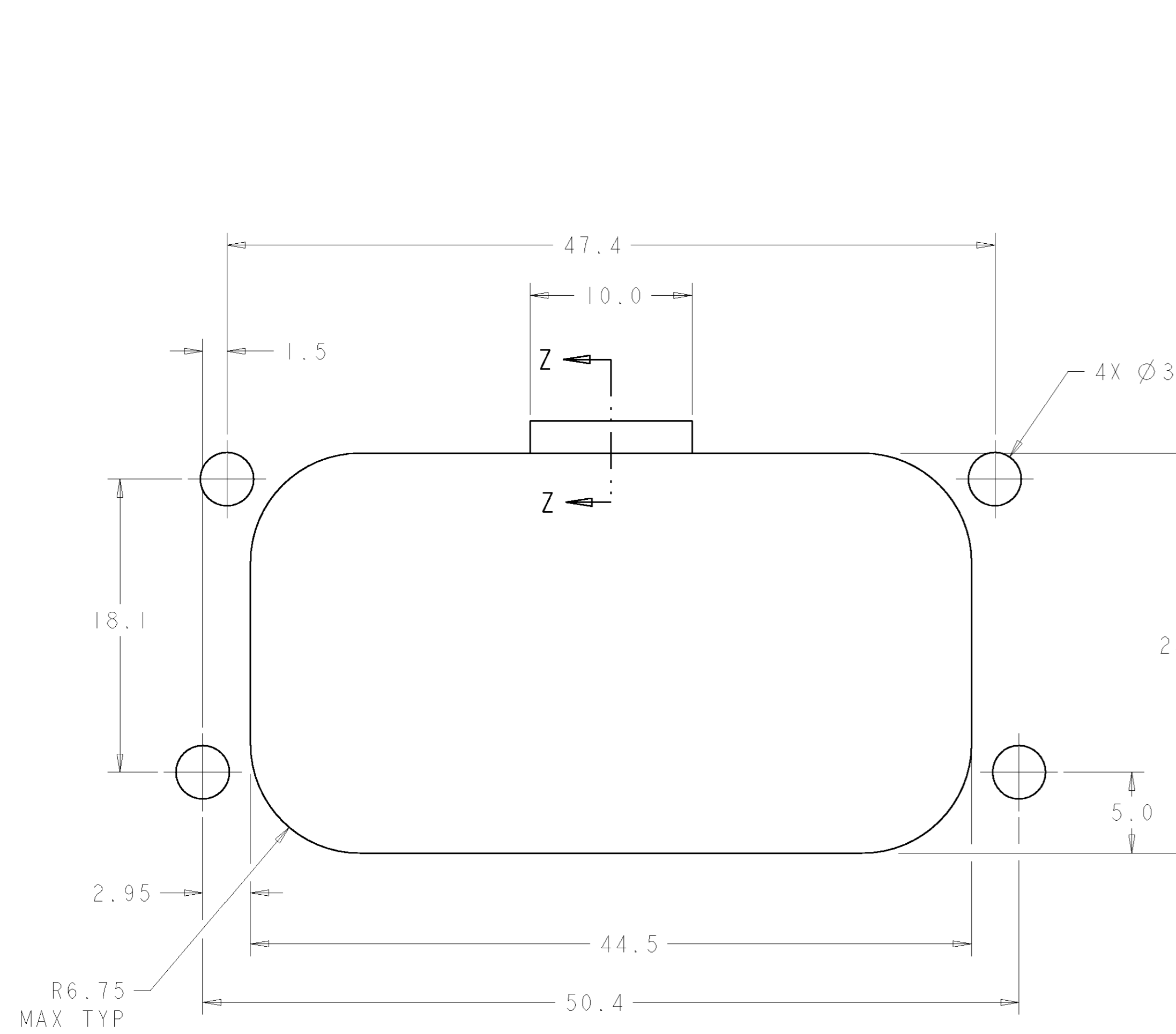


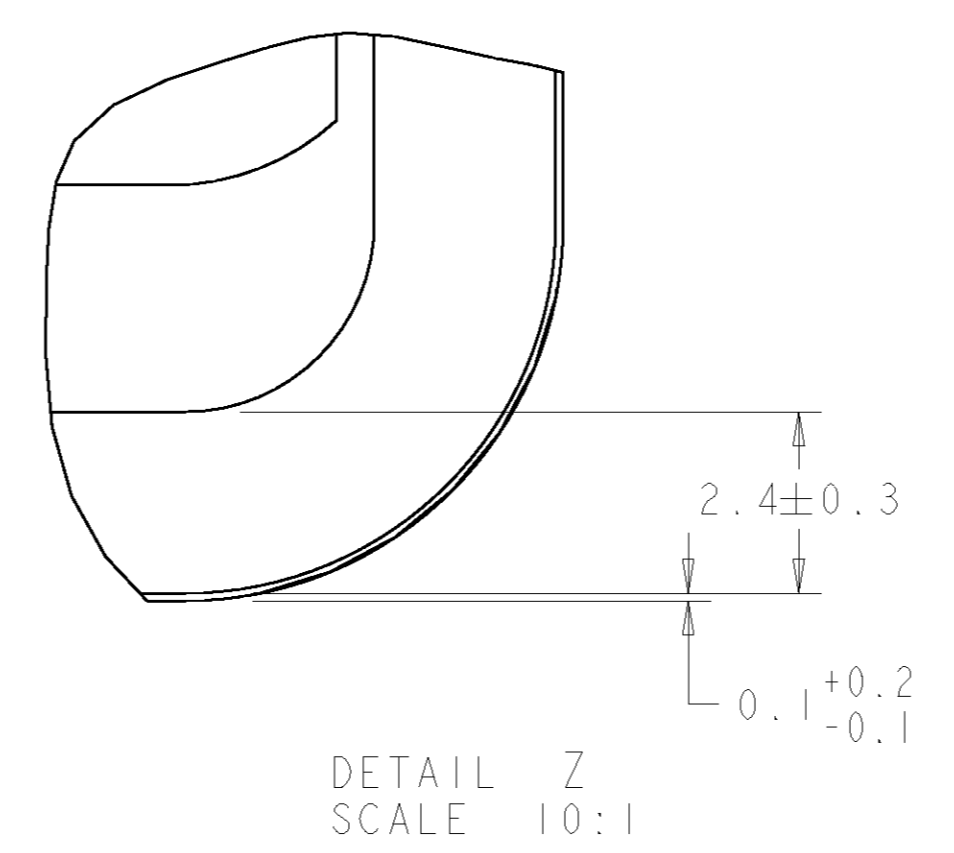
LOC		DIST		REVISIONS			
P	LTR	DESCRIPTION	DATE	DWN	APVD		
C		REV PER EC 0K40-0453-02	31DEC2002	RGV	DHC		
D		REV PER EC 0K40-1104-02	31DEC2002	RGV	DHC		
E		REV PER EC 0K40-0193-03	10APR2003	AH	DC		
E1		REV PER EC 0K40-0381-03	19JUN2003	RGV	MPT		



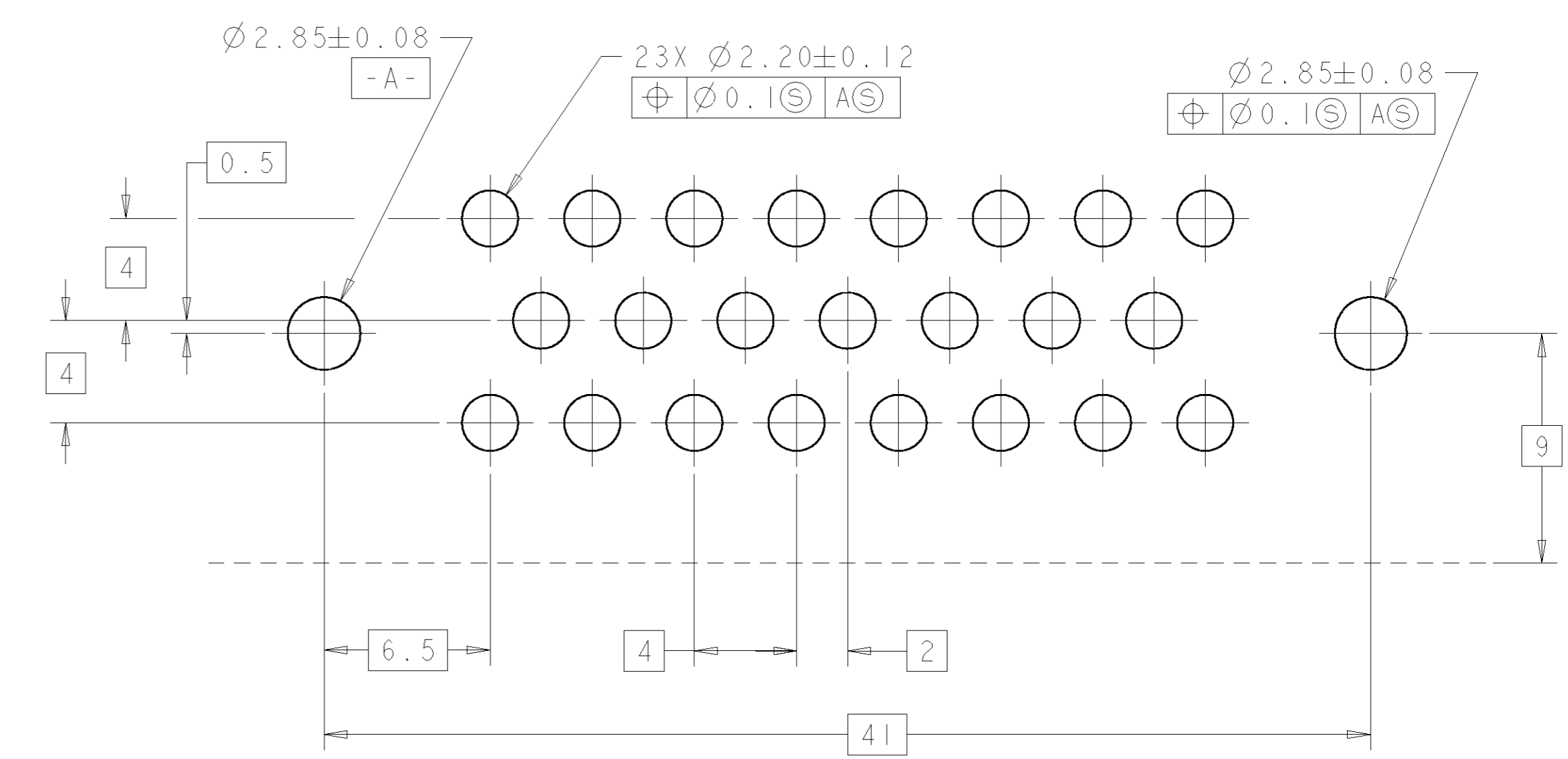
- 1 ACCEPTS #4 SELF TAPPING SCREW (ELCO HI-LO THREAD CUTTING STYLE OR EQUIVALENT) TO BE DRIVEN AT 0.6±0.2 N-M.
- 2 HOUSING COLORS ARE MECHANICALLY KEYS TO MATE ONLY WITH IDENTICALLY COLORED PLUG ASSEMBLIES.



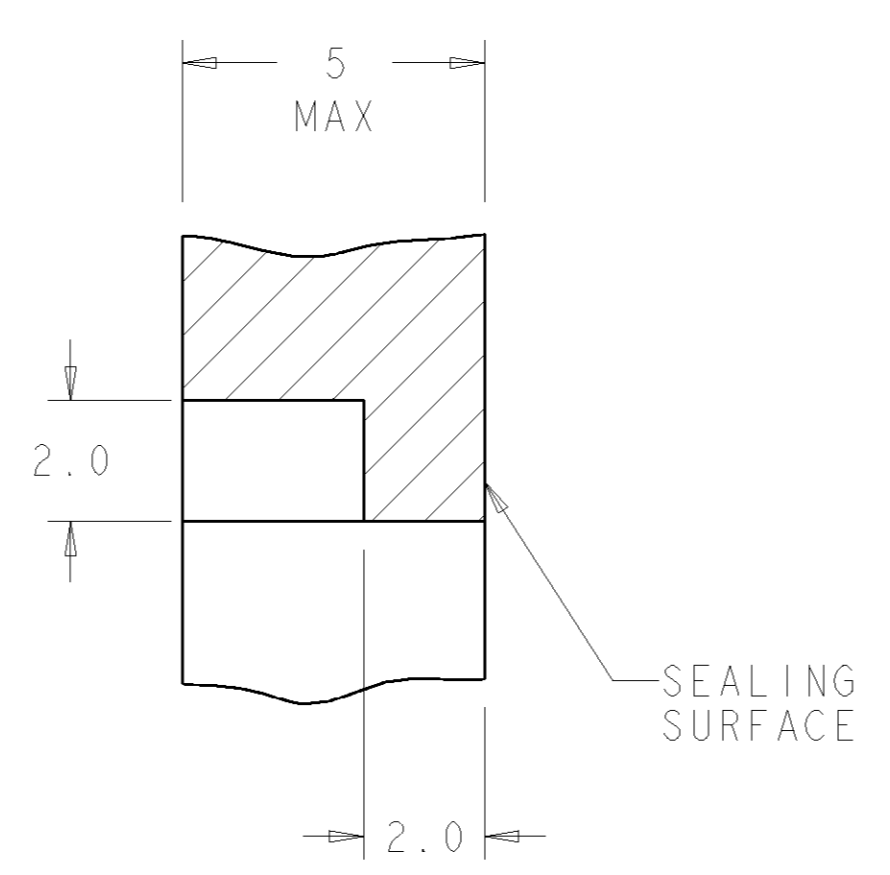
RECOMMENDED MOUNTING HOLE LAYOUT FOR 5.0 MAX THICK PANEL



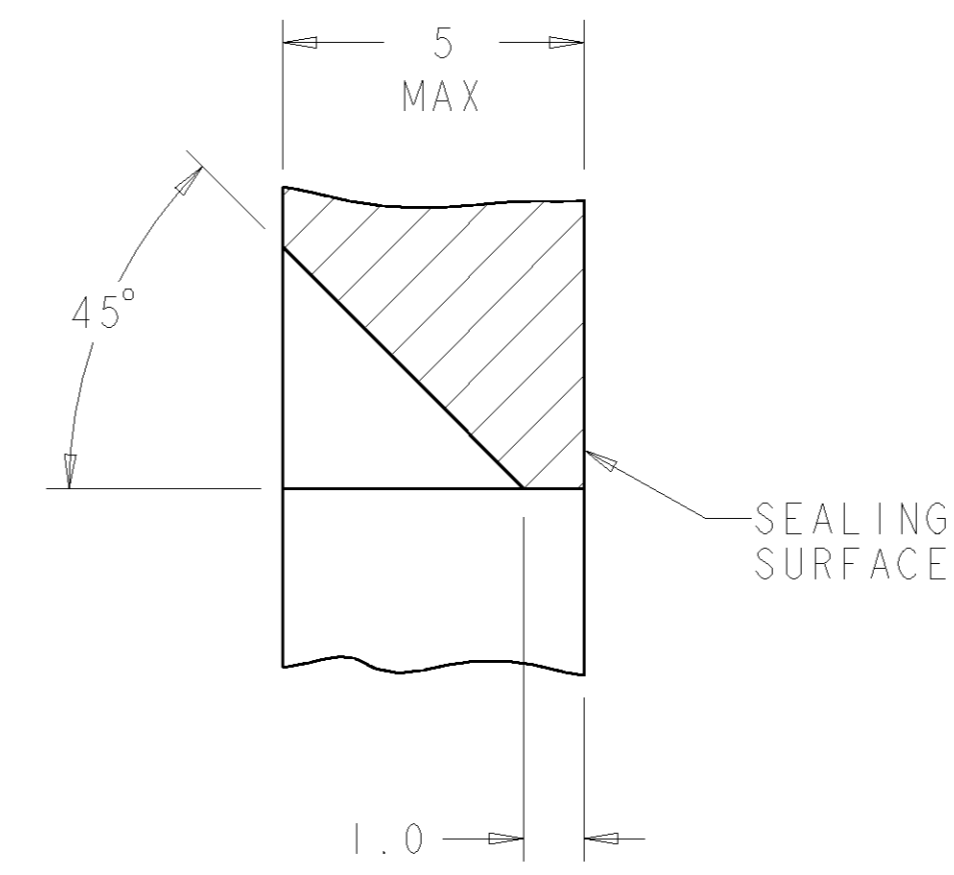
DETAIL Z SCALE 10:1



RECOMMENDED P.C. BOARD LAYOUT FOR 1.57 THICK P.C. BOARD



SECTION Z-Z OPTIONAL CONSTRUCTION IF THICKNESS IS GREATER THAN 2.0 SCALE 8:1



SECTION Z-Z OPTIONAL CONSTRUCTION IF THICKNESS IS GREATER THAN 2.0 SCALE 8:1

SILICONE	BRASS	DURAGOLD	PBT	BLUE	1-776087-5
SILICONE	BRASS	DURAGOLD	PBT	GRAY	1-776087-4
SILICONE	BRASS	DURAGOLD	PBT	NATURAL (WHITE)	1-776087-2
SILICONE	BRASS	DURAGOLD	PBT	BLACK	1-776087-1
SILICONE	BRASS	TIN	PBT	BLUE	776087-5
SILICONE	BRASS	TIN	PBT	GRAY	776087-4
SILICONE	BRASS	TIN	PBT	NATURAL (WHITE)	776087-2
SILICONE	BRASS	TIN	PBT	BLACK	776087-1
MATERIAL	MATERIAL	FINISH	MATERIAL	COLOR	PART NO
GASKET	CONTACTS		HOUSING		

DIMENSIONS: mm 		TOLERANCES UNLESS OTHERWISE SPECIFIED: 9 PLC ±0.3 3 PLC ±0.13 4 PLC ±0.1 ANGLES ±0.5		DWN BY: VESTAL 31DEC2002 CHK: D. CROWE 31DEC2002 APVD: D. CROWE 31DEC2002		tyco Tyco Electronics Harrisburg, PA 17105-3608	
MATERIAL: SEE TABLE		FINISH:		WEIGHT:		CUSTOMER DRAWING:	
PRODUCT SPEC:		APPLICATION SPEC:		NAME:		SCALE: 4:1	
SIZE:		CABE CODE:		DRAWING NO:		RESTRICTED TO:	
A1		00779		C=776087		SHEET 1 OF 1	